

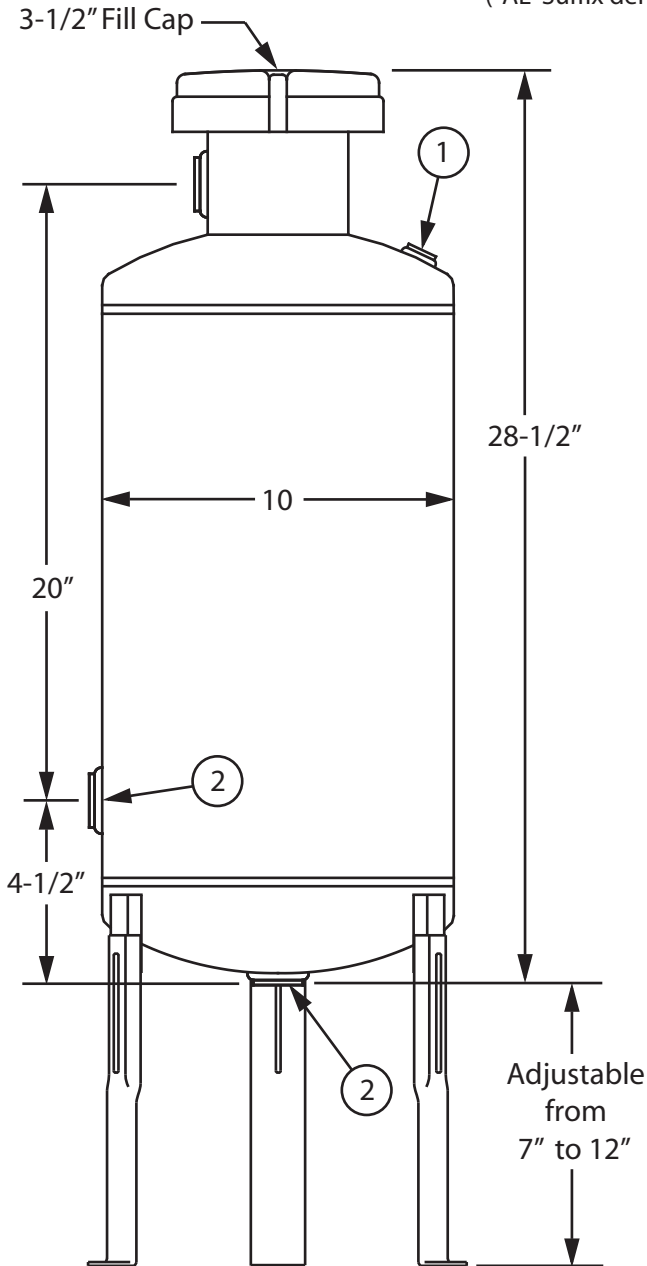
ector Industries, Inc.

W220 N1560 Jericho Court, Waukesha WI 53186

High Flow Bypass Filter Feeder

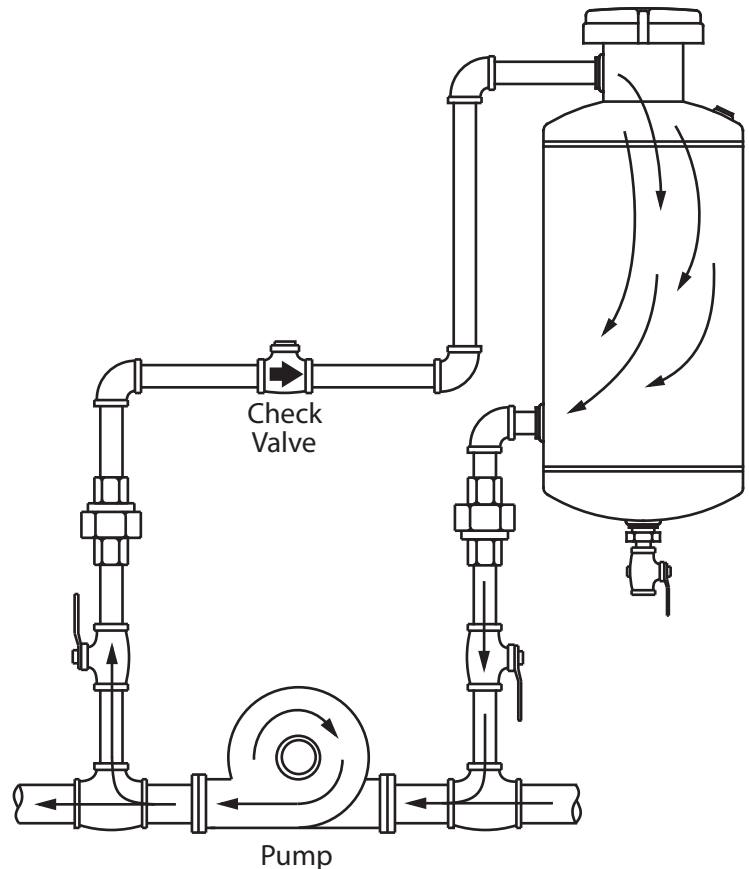
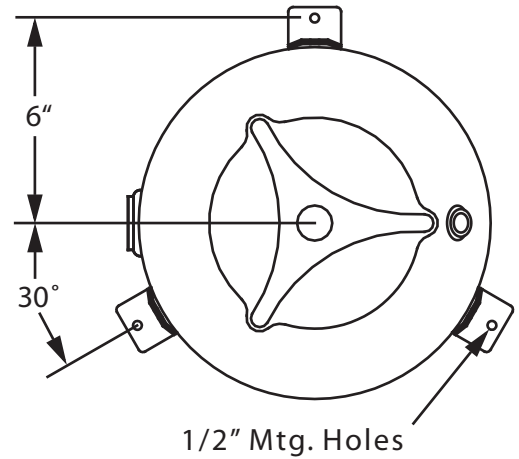
7-Gallon Model: FA-900(AL)

("AL" Suffix denotes AL105 leg set included)



① 1/4" Female NPT Fitting

② 1" Female NPT Fitting



Tank Shell Constructed of 10 Gauge Carbon Steel | Max Operating Specifications of 200psi (13.8bar) @ 200°f (93°c)