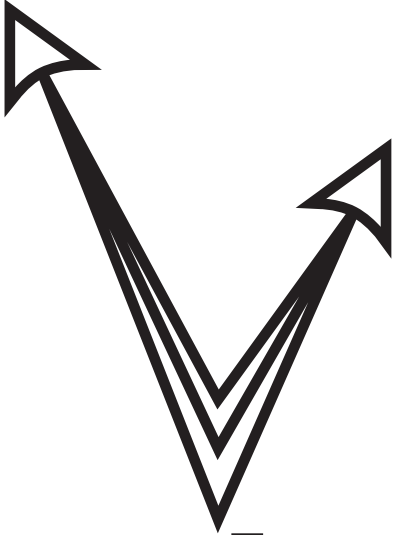


# FA-900 Series



**vector**  
**Industries, Inc.**

---



22" x 28-7/8" Basket & Filter



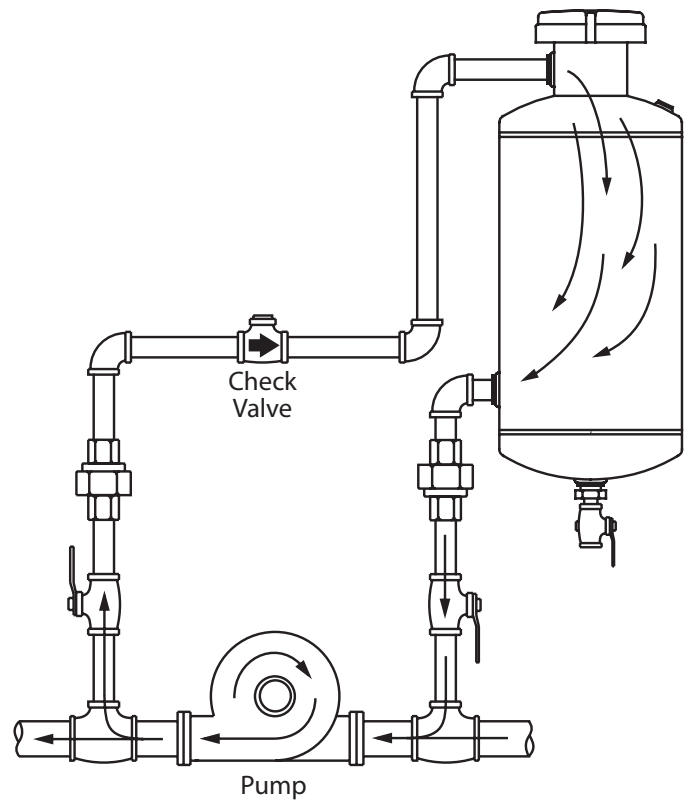
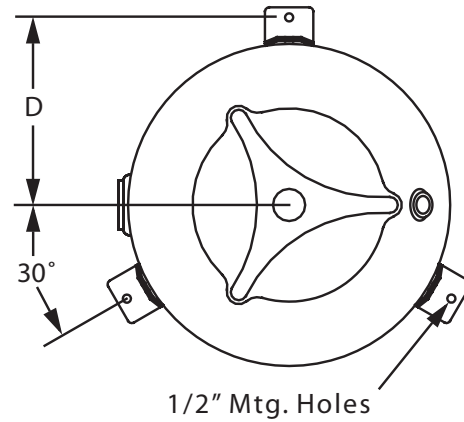
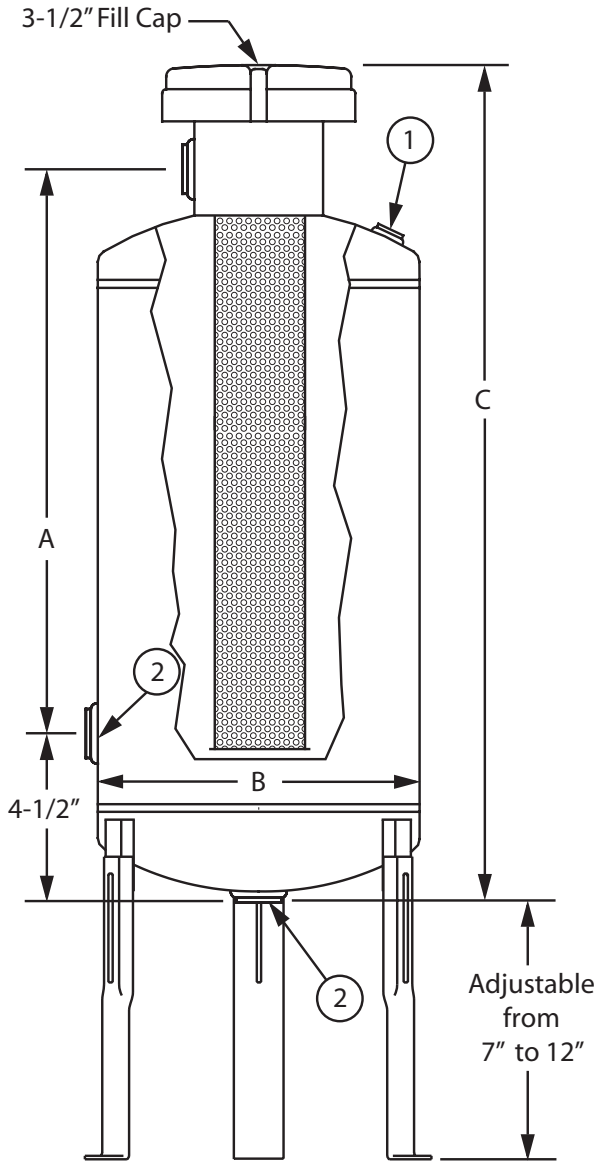
FA-900 AL Shown



# ector Industries, Inc.

2125 S. West Avenue Waukesha, WI 53189

## High Flow Bypass Filter Feeder



① 1/4" Female NPT Fitting ② 1" Female NPT Fitting

Model	Approx. Capacity	A	B	C	D	Shipping Weight
FA-900	7 Gallons	20"	10"	28-1/2"	N/A	41 lbs
FA-900AL	7 Gallons	20"	10"	28-1/2"	6"	44 lbs

Max operating specifications of 200psi (13.8bar), 200°f (93°c)  
Models with "AL" suffix include adjustable leg set (AL105)